



SELFRAG ACCESSORIES • STANDARD PROCESS VESSEL KIT FOR PG V 2.8+2.10

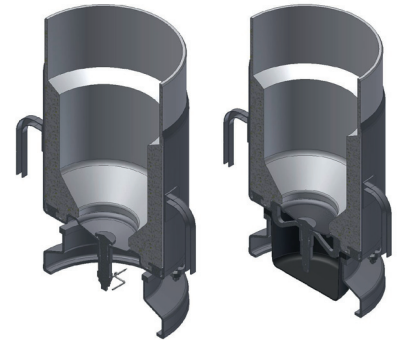
Application

The SELFRAG Lab Standard Process Vessel Kit PG V 2.8+2.10 is designed for the selective fragmentation of composite materials, mineralogical and geological samples in the kilogram range.

Mode of operation

The vessel kit PG V 2.8+2.10 is a highly flexible setup, which can be easily adjusted to the processing task:

- (i) closed metal shell : all material stays in the reaction chamber.
- (ii) open metal shell : fragmented material can escape through a sieve from the process area into a tray.
 - a. sieves are available from 8 mm to 0.3 mm
 - b. collection tray available in different materials



Technical specifications

Design

- Outer process vessel shell

Material	Stainless steel
Weight	2900 g

- Inner process lining

Material	PE-1000
Weight	3000 g

- Fixing rings

Material	stainless steel
Weight	2x 400 g

- Flexible Collection Vessel set rubber

Material	Stainless steel + thermoplastique PVC
Weight	2000g

Weight complete

9000 g

Outer dimensions

Max. d1/d2 x H	Ø360/Ø206 x 375 mm
Max. Volume	5.3 dm ³

Capacity

Max. sample volume	1 dm ³
Maximal size of single piece	Ø 8 x 4 cm

